



# TMRA Amateur Radio Beacon

April 2012



## The Prez Sez

The 2012 Hamfest has come and gone: following the trend of many hamfests, it wasn't our biggest – when we had over 400 tables and had attendances of 1,500 people, but we did better than last year. We sold 990 tickets, had 243 tables and 91 vendors and issued 160 vendor passes. Many thanks to all who helped with the event. We'll be planning for 2013 soon, and any member who would like to be on the Hamfest Committee should let me know. So far the present committee has heard of very few "issues" or problems that arose, but if anyone has or knows of any problems, or has suggestions for future Hamfests – please let us know. Although the cost of having it at Owens Community College increases each year, we have a really good location there; vendors and attendees seem to like it. It's bright and clean, with space for us to expand (i.e. set up more tables if needed).



Now that the Hamfest is over, the bills have been paid and the income is known, the Budget Committee met and formulated a proposed Budget for our Financial Year (FY) 2012-2013, which starts May 1<sup>st</sup>. The Executive Committee has approved it, so now it comes before the General membership (at the meeting Wednesday April 11<sup>th</sup>) for final consideration and approval.

With the end of the FY – it's time to convene an Audit Committee to review the Treasurer's records for that year. Another call for volunteers – anyone who would like to be on the Audit Committee, please let me know.

Chris, KC8UFV, is planning on a construction evening at the April meeting – those of us who placed an order with Chris for parts for the digital device, will, if the parts Chris ordered are delivered on time, be making the devices.

We're only about 10 weeks away from Field Day: this year we'll be back at the location we used last year – at the large shelter house on the grounds of where we meet for our General meetings. Glenn, W8MUK, is FD Chairman this year – so contact Glenn to let him know what band/mode(s) you'd like to operate.



73, Brian, WD8MXR

*hamfest photos- kb8fxj*

## Special Event Stations Planned for London 2012 Olympic and Paralympic Games

Some special event call signs will be activated to celebrate the London 2012 Olympic and Paralympic Games: 2O12L from London, England and 2O12W from Barry, Wales. The **London 2012 Inspire program** has granted the Radio Society of Great Britain (**RSGB**) -- Great Britain's **IARU** Member-Society -- use of the "Inspire mark" for these stations. Both stations will be on-the-air for the duration of the Games, July 27-August 12. Organizers hope to make at least 80,000 contacts during the seven weeks that 2O12L and 2O12W are on the air.

The London station -- **2O12L** -- will be active on 160-2 meters on all modes. The station is located at the historic **Eltham Palace** in Southeast London, in the London borough of Greenwich, one of the six "host boroughs" for the Games.

The Welsh station -- **2O12W** -- will be active on 160 meters-23 cm on all modes, including SSTV and satellite, will be based on the **seafont esplanade** at Whitmore Beach, Barry Island, Vale of Glamorgan. The site is located just a few miles south west of Cardiff and the Millennium Stadium, home to the first football match that will open the Games in Wales.

"Amateur Radio operators everywhere will be able to share in the Olympic experience by making contact with the station and exchanging greetings messages with visitors and Games participants who visit the station," said **Project Echo** Publicity Officer John Warburton, G4IRN. "The team aims to make contact with as many of the Games participating countries as possible. Special QSL cards will be available to stations contacted. The project aims to leave a lasting legacy by encouraging visitors to learn more about radio communications and the social, career and recreational benefits that it brings. Of course, visiting hams will be made very welcome at the stations."

---

## Still Looking For Help!

**I'm still looking for lots of help with the Glass City Marathon. The race is on Sunday, April 22nd and starts at 7:00 AM. It starts at the University of Toledo and follows the same course as last year (for those of you who were there). If you would like more information or to volunteer please let me know by e-mail at k8rks@arri.net or by phone at 419-471-0573.**

Thanks!

**Rick, K8RKS  
k8rks@arri.net  
419-471-0573**

<p>The TMRA <i>Amateur Radio Beacon</i> is published monthly by the Toledo Mobile Radio Association. #240 Editors: Brenda, KB8IUP, and Chuck, KB8FXJ. Email, kb8iup @ arri.net</p>
--

---

## Skywarn® Training

About 290 weather watchers attended the 2012 Lucas County Skywarn® annual training session held in the St. Luke's Hospital Auditorium on March 24.

## Free Circuit Design Tools for Ham Radio

By Dan Romanchik, KB6NU

About a week ago, I started looking for a schematic capture program so that I could easily generate some simple schematics for my upcoming Extra Class study guide. Since I use a Mac as my main computer, I first asked on the Ham-Mac mailing list if anyone knew of a good one. I got several recommendations, including:

- Diptrace (<http://www.diptrace.com/>),
- Eagle (<http://www.cadsoftusa.com/downloads/freeware/?language=en>), and
- McCad (<http://mccad.com/>)

Eagle looked like a good choice, although several people mentioned that the user interface “left much to be desired.”

Then, I remembered that I had OmniGraffle, which is a general-purpose diagramming tool. Googling around, I found several sets of electronic symbol libraries that could be used with OmniGraffle. I installed them, and generated a couple of figures for the study guide section that discusses T-network and pi-network filters. It was a reasonably good solution to my problem.

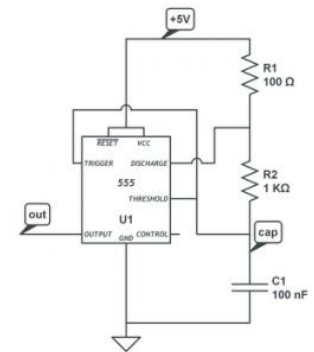
### A Web solution

A couple of days ago, though, someone on the local Maker mailing list, pointed me towards CircuitLab (<https://www.circuitlab.com/>), an online schematic capture tool and circuit simulator. I haven't tried the circuit simulation yet, but the schematic capture tool is really easy to use. It's much easier to use for drawing circuit diagrams than OmniGraffle.

Another benefit is that it doesn't matter what computer you're using. Because it runs in a Web browser, it doesn't matter whether that browser is running on a Mac or a PC or even a Linux box.

If you set up an account, you can save circuits to your "workbench." To get you started, there are some sample circuits, such as the 555 timer circuit shown in Figure 1. There's also some decent documentation and a forum where you can discuss circuits and get some help.

Finally, the price is right, too. It looks like using CircuitLab is completely free. I couldn't find any pages that required payment.



Sample Circuit

---

When not searching the Web for circuit design tools, you'll find KB6NU working 30m CW and twittering away about his contacts. His Twitter id is @kb6nu. He would love for you to follow him there. If you don't tweet, you can still read his blog at [www.kb6nu.com](http://www.kb6nu.com).

*article submitted by rita, wb8fbg*

## A Reminder From Chris

If you ordered a kits to to assemble at the meeting be sure to bring your tools. You need to bring a soldering iron, wire cutters, solder, and something to protect the table where you work. Also helpful are desoldering braid, a small flat blade screwdriver, and an alligator clip.

---

## TRAC Fox Hunt

Hope you have started to dust off your radio detection gear to hunt down the Toledo Radio Amateur Club's sly old fox. We're starting the fox hunt up on April 29, 2012 at 1:00 and will repeat the event the last Sunday of each month. The repeater being used is the 146.940 with an input of 146.340. The fox is daring me to find him with two HTs this year. Hope to hear you hunting.

Tim Gray

---

## Michigan QSO Party Near

"The 2012 Michigan QSO Party will occur on Saturday, April 21, 2012 from noon until midnight local time (Eastern Time here in Michigan). This is 16Z on April 21, 2012 until 04Z on April 22, 2012 on the calendar. There are no rules changes from 2011, so published rules and logging software will still be valid."

QSO Party rules may be seen at the MIQP web site -- [www.miqp.org/](http://www.miqp.org/).

---

## Dayton Bus 2012

Once again the TMRA bus will make the trip to Dayton for Hamvention®. Contact Mike, WA8SYD.

THE TOLEDO MOBILE RADIO ASSOCIATION P.O. BOX 9673, TOLEDO, OH. 43697-9673

President, Brian, WD8MXR; Vice-President, Steve, W8TER;

Secretary, Ron, N8RLH; Treasurer, Brenda, KB8IUP.

Board Members: Chris, KC8UFV; Joe, KJ0EYT; James, WD8IOL; Rita, WB8FBG; Dan, KE8UE.

TMRA Home Page [www.tmrahamradio.org](http://www.tmrahamradio.org) Webmasters, Tom, KB8PAI & Joe, KJ0EYT

TMRA W8HHF Repeaters; 147.270+, 224.140-, 442.850+ (TMRA 2 meter, 220, and 440 repeaters operate with a 103.5 "PL", or a touch-tone access code of 1-2-3)

TMRA W8HHF Packet BBS Frequencies 51.780, 145.690, 223.480, 441.060

The TMRA meets at 7:30 PM every second Wednesday in

The Electrical Industry Building, Lime City Rd. Rossford, Ohio.

The TMRA Q & A net meets every Sunday night at 7:30 PM, followed by the TMRA "Information & Swap 'N-Shop" net at 8:30 on the 147.270+ repeater. All amateurs are invited to check-in.